

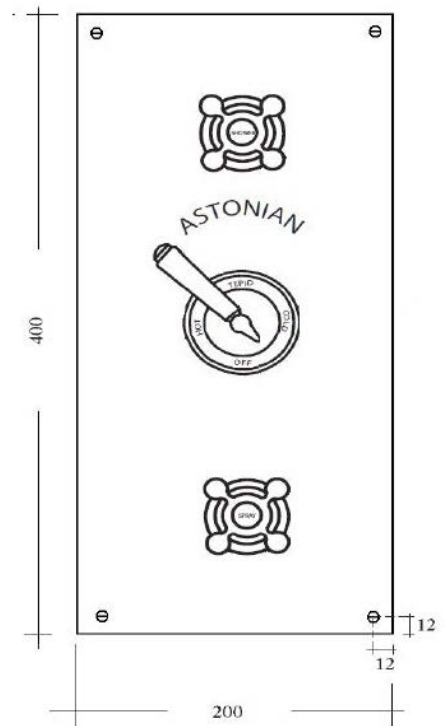
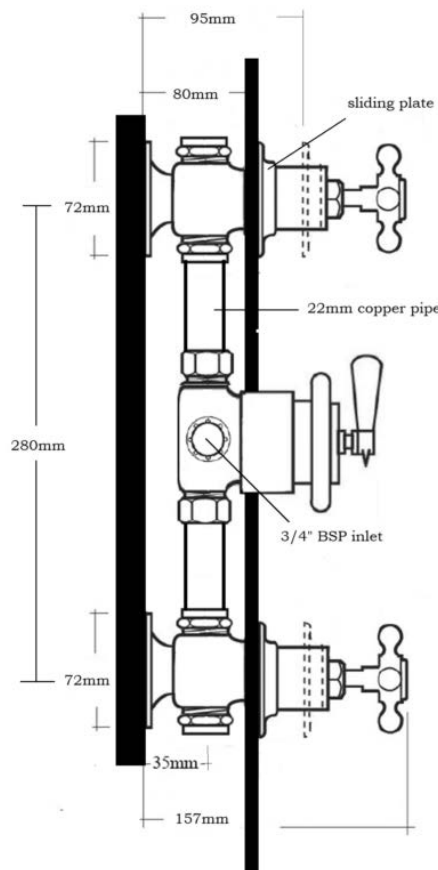


tradition

thermostatic panel set with two wall valves

Manufactured in England to the highest quality, from original designs dating back to 1905, our Tradition range offers the most authentic period look available. Our thermostatic panel set includes a central thermostatic valve, and 2 independent outlets, which can be used in a shower or over a bath. Tradition can be ordered in a variety of stunning finishes, including chrome, nickel, inca, and our exclusive astonite, in addition to bespoke finishes, available on request.

Material solid brass
 Finishes chrome, nickel, inca, astonite, polished brass, bespoke finishes on request
 Pressure suitable for high and low pressure installations
 Indice options bath, shower, spray



PERFORMANCE OF THERMOSTATIC VALVE

Flow Rates at Equal Pressure Drops. (Open outlet only. Does not allow for losses through pipes & fittings).

Pressure drop (bar)	0.1	0.5	1.0	1.5	2.0	3.0	4.0	5.0
Flow rate (litres/min)	14	30	48	55	61	76	90	102