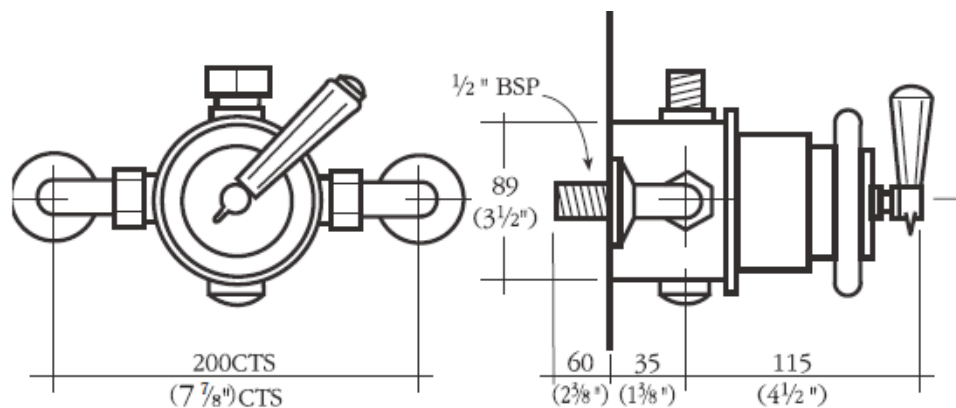




# tradition exposed thermostatic shower valve

Manufactured in England to the highest quality, from original designs dating back to 1905, our Tradition range offers the most authentic period look available. Tradition can be ordered in a variety of stunning finishes, including chrome, nickel, inca, and our exclusive astonite, in addition to bespoke finishes, available on request.

- Material        solid brass
- Finishes        chrome, nickel, inca, astonite, polished brass, bespoke finishes on request
- Pressure        suitable for high and low pressure installations



## PERFORMANCE OF THERMOSTATIC VALVE

**Flow Rates at Equal Pressure Drops. (Open outlet only. Does not allow for losses through pipes & fittings).**

Pressure drop (bar)	0.1	0.5	1.0	1.5	2.0	3.0	4.0	5.0
Flow rate (litres/min)	14	30	48	55	61	76	90	102