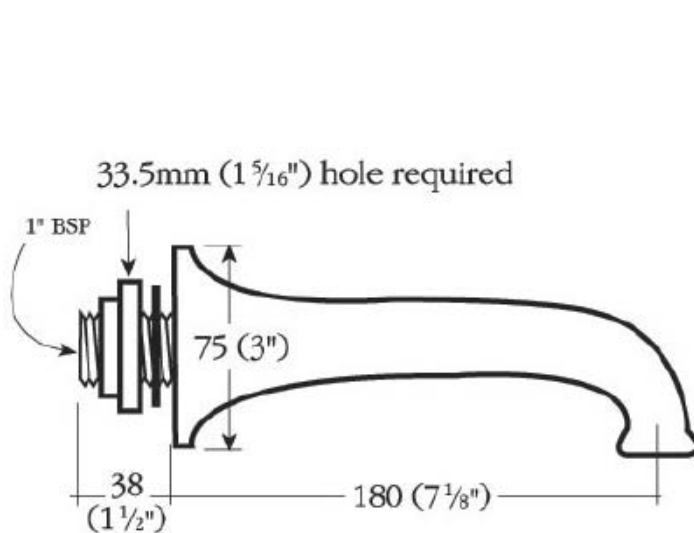




# tradition 3/4" wall valves & spout 110mm or 260mm

Manufactured in England to the highest quality, from original designs dating back to 1905, our Tradition range offers the most authentic period look available. Tradition can be ordered in a variety of stunning finishes, including chrome, nickel, inca, and our exclusive astonite, in addition to bespoke finishes, available on request.

Material	solid brass
Finishes	chrome, nickel, inca, astonite, polished brass, bespoke finishes on request
Pressure	suitable for high and low pressure installations



Also available in lengths 260mm and 110 mm

