

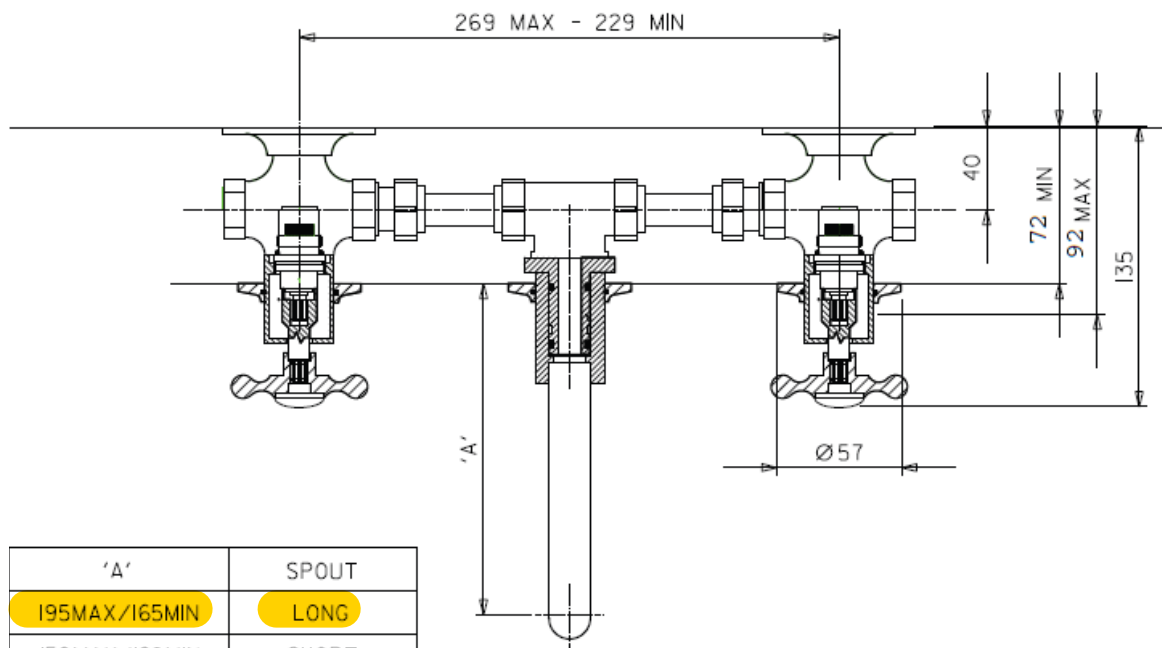


# tradition

3 wall mounted hole basin mixer short spout

Manufactured in England to the highest quality, from original designs dating back to 1905, our Tradition range offers the most authentic period look available. Tradition can be ordered in a variety of stunning finishes, including chrome, nickel, inca, and our exclusive astonite, in addition to bespoke finishes, available on request.

Material solid brass  
Finishes chrome, nickel, inca, astonite, polished brass, bespoke finishes on request  
Pressure suitable for high and low pressure installations



'A'	SPOUT
195MAX/165MIN	LONG
150MAX/120MIN	SHORT
255MAX/225MIN	EX LONG