

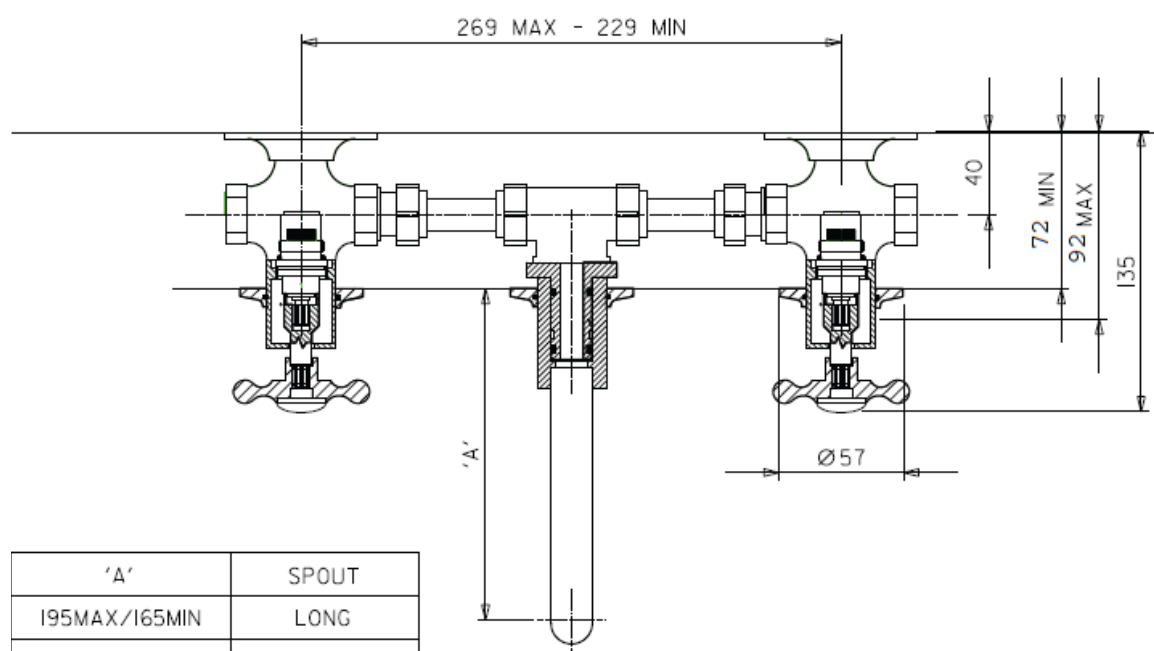


# tradition

3 wall mounted hole basin mixer long spout

Manufactured in England to the highest quality, from original designs dating back to 1905, our Tradition range offers the most authentic period look available. Tradition can be ordered in a variety of stunning finishes, including chrome, nickel, inca, and our exclusive astonite, in addition to bespoke finishes, available on request.

Material solid brass  
Finishes chrome, nickel, inca, astonite, polished brass, bespoke finishes on request  
Pressure suitable for high and low pressure installations



| 'A'           | SPOUT   |
|---------------|---------|
| 195MAX/165MIN | LONG    |
| 150MAX/120MIN | SHORT   |
| 255MAX/225MIN | EX LONG |