

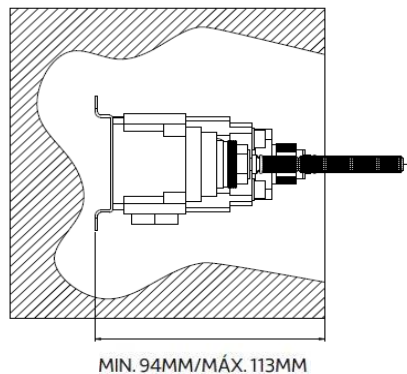


Astonian Evolution

concealed thermo valve round flanges

The sleek design of our Evolution range offers a modern industrial style, manufactured from stainless steel and brushed for a contemporary finish. Single outlet valve for supply to overhead shower or handshower kit.

Material stainless steel solid brass internals
Finish brushed stainless steel
Min. pressure 1bar



TECHNICAL DATA

1. Fixing Plate
2. Thermostatic Valve
3. Shut Off Valve
4. Connecting Joint
5. Fixing Screws
6. Check Valves
7. Connecting Joint O Ring
8. Rubber O Ring
9. 1/2" Brass Cap

