

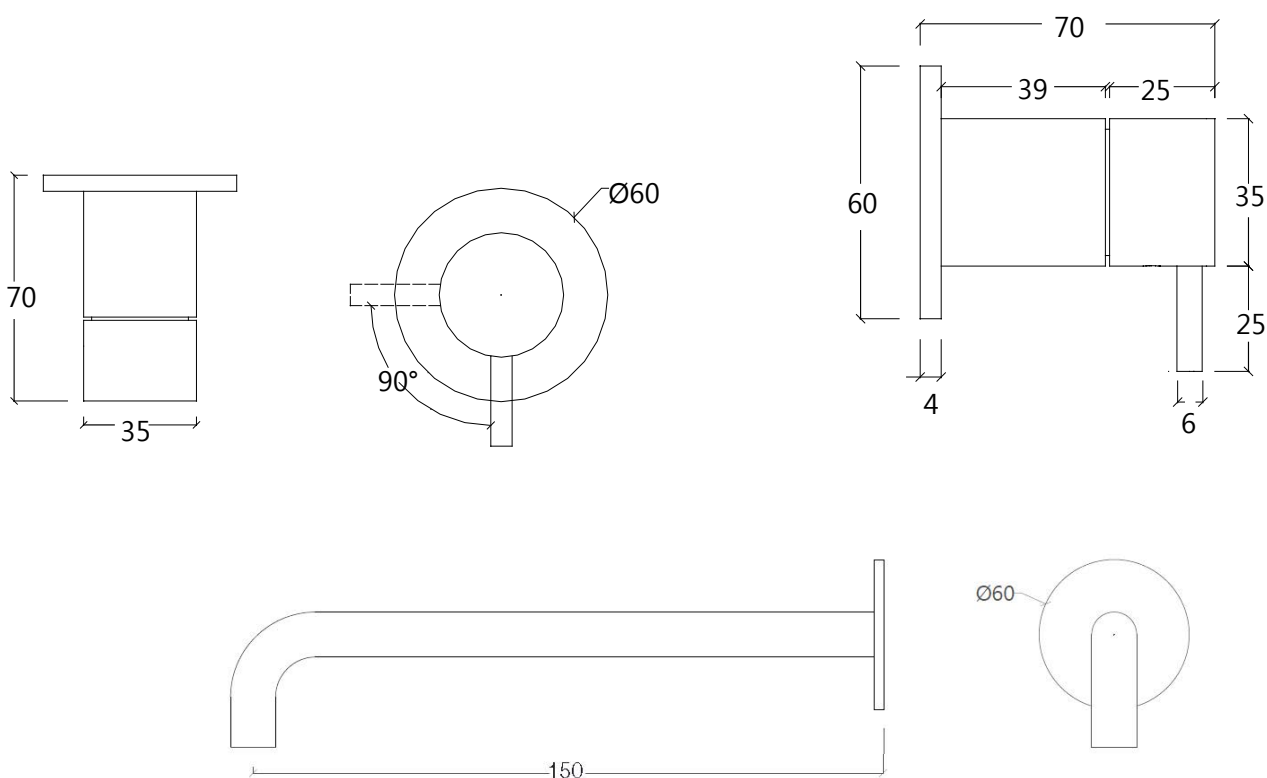
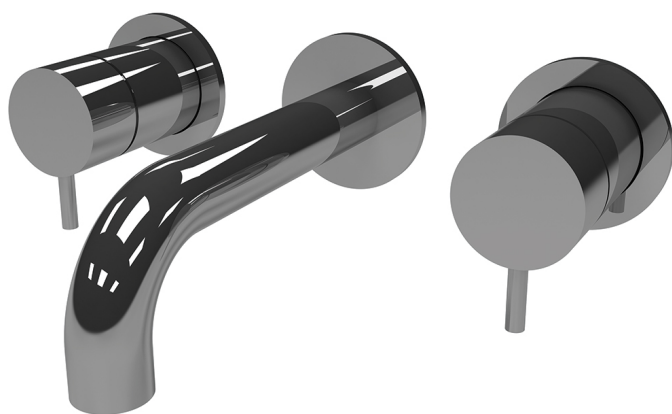


Astonian Evolution

3 hole wall mounted bath filler 150mm spout

The sleek design of our Evolution range offers a modern industrial style, manufactured from stainless steel and brushed for a contemporary finish

Material stainless steel
Finish brushed stainless steel
Min. pressure 0.2 bar



Aston Matthews For contact information and branch addresses please visit www.astonmatthews.co.uk

specifications / dimensions subject to manufacturing tolerances