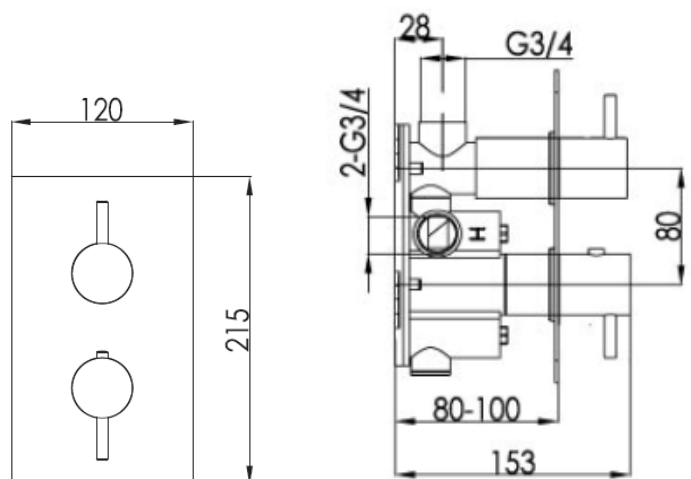




amox 2 concealed thermo shower valve

Amox was designed to meet the needs of design conscious individuals, looking for a high quality, durable range of solid stainless steel brassware at a competitive price. Its strong modern design is clean and understated, ensuring Amox complements a wide range of bathroom schemes.

Material solid brass, solid stainless steel
Finish brushed stainless steel
Min pressure 1.5 bar



Flow rate

| 38°MIX (L/MIN) | 0.2BAR | 0.5BAR | 1BAR | 2BAR | 3BAR |
|----------------|--------|--------|------|------|------|
| | 12 | 17 | 21 | 29 | 36 |