



astonian breeze

slimline extractor fan

This slimline extractor fan is ideal for any new bathroom. Whilst discreet in design it still maintains an efficient extraction rate and has a low noise level.

Dimensions	152mm(w) x 152mm(h) x 33mm(p)
Extraction rate	88m ³ /hr
Noise level	33dB
Timer	adjustable 2-30 minutes
IP rating	IPX4
Mounting	can be wall or ceiling mounted
Colour	white, matt silver, chrome
Accessory kit	includes 3 metres of flexible 100mm diameter ducting, white fixed grill & x2 steel hose clamps



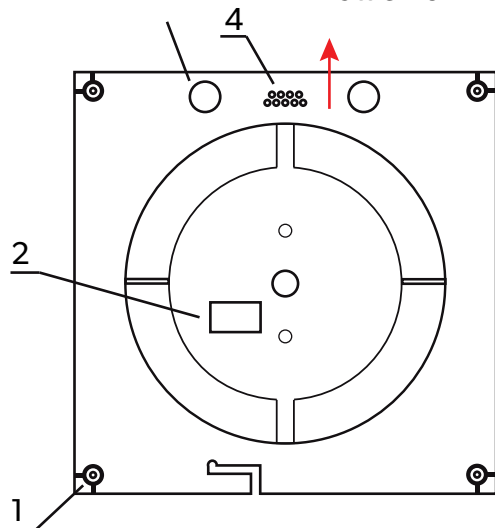
white



matt silver



chrome



- 1 Holes for fan mounting (x4)
- 2 Terminal block
- 3 Electrical access points
- 4 Wire fixing rack