

# venice

cast iron roll top bath



Aston Matthews cast iron roll top baths represent the perfect union of traditional craftsmanship and modern luxury, making them a timeless centrepiece in high-end bathroom design. Established in 1823, Aston Matthews has built a reputation as one of the UK's leading bathroom specialists, offering an extensive range of freestanding baths that combine heritage styling with exceptional quality.

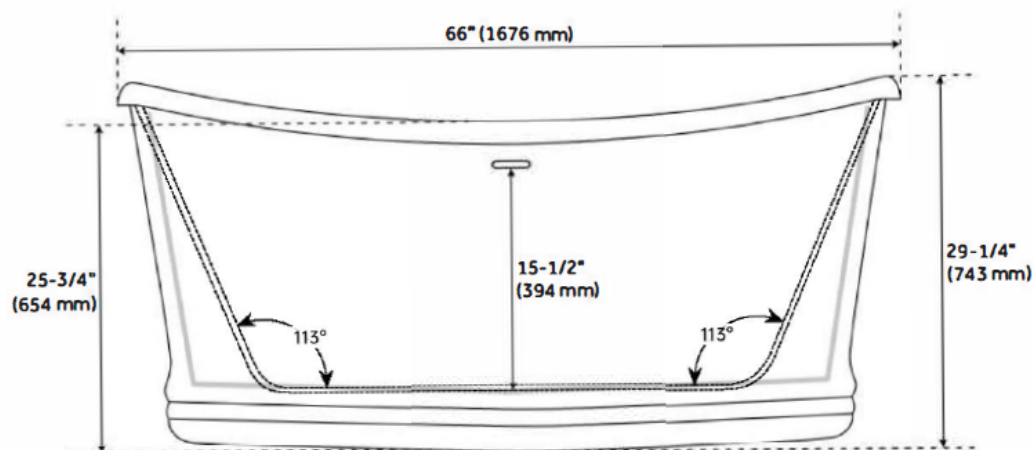
These baths are manufactured using cast iron, a material renowned for its durability and longevity. Each tub is finished with a porcelain enamel coating that is fused onto the surface at high temperatures, resulting in a smooth, glossy finish that is resistant to scratching and staining. This robust construction ensures that the baths maintain their beauty and performance for decades, making them a worthwhile investment in any luxury home.





# venice

cast iron roll top bath



Dimensions	1676mm x 730mm
Weight	138kg
Capacity	205 litres
Tapholes	no tapholes
Material	enamelled cast iron
Finish	primed ready for painting

