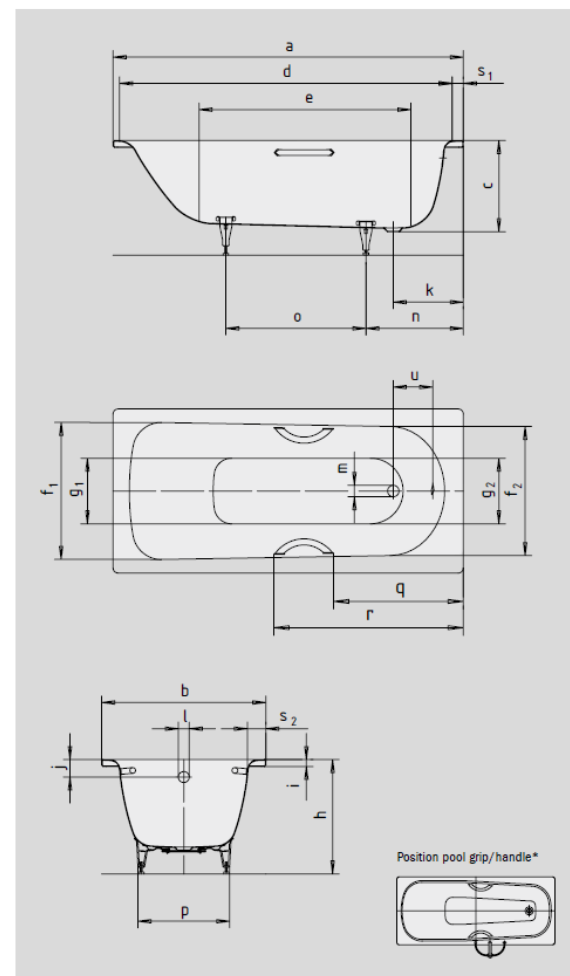




# HD inset steel bath

Manufactured from high grade titanium steel, the HD is superior in both quality and design. Available in sizes ranging from 1400mm to 1800mm, the HD is hugely versatile and ideal as a shower bath. Complete with a 30 year guarantee for peace of mind.

Material	enamelled steel
Finish	white
Tap holes	nth, 2th
Guarantee	30 years





# HD inset steel bath

Manufactured from high grade titanium steel, the HD is superior in both quality and design. Available in sizes ranging from 1400mm to 1800mm, the HD is hugely versatile and an ideal shower bath. Complete with a 30 year guarantee for peace of mind.

Material	enamelled steel
Finish	white
Tap holes	0th, 2th
Guarantee	30 years

External length	a	1400	1500	1600	1700	1700	1600	1700	1750	1800 mm
External width	b	700	700	700	700	730	750	750	750	800 mm
Depth	c	410	410	410	410	410	410	410	430	430 mm
Internal length (top)	d	1230	1330	1430	1530	1530	1430	1530	1630	1630 mm
<b>Internal length (bottom)</b>	<b>e</b>	<b>850</b>	<b>950</b>	<b>1050</b>	<b>1150</b>	<b>1150</b>	<b>1050</b>	<b>1150</b>	<b>1200</b>	<b>1250 mm</b>
Internal width (top)	f <sub>1</sub> ; f <sub>2</sub>	550; 530	550; 530	550; 530	550; 530	550; 530	600; 580	600; 580	630; 560	675; 640 mm
Internal width (bottom)	g <sub>1</sub> ; g <sub>2</sub>	390; 350	390; 350	390; 350	390; 350	390; 350	440; 400	440; 400	430; 380	520; 450 mm
Height with feet	h	545-560	545-560	545-560	545-560	545-560	545-560	545-560	565-580	555-580 mm
Height of rim	i	32	32	32	32	32	32	32	32	32 mm
Distance top edge to centre of overflow hole	j	63	63	63	63	63	63	63	70	75 mm
Distance bath edge to centre of drain hole	k	310	320	310	310	310	310	310	285	310 mm
Diameter of overflow hole	l	52	52	52	52	52	52	52	52	52 mm
Diameter of drain hole	m	52	52	52	52	52	52	52	52	52 mm
Distance foot end of bath edge to centre of foot	n	455	445	450	450	450	445	445	450	470 mm
Distance between the feet	o	445	555	600	740	740	640	750	640	830 mm
Max. width of feet	p	380	380	380	380	370	430	430	430	480 mm
Distance bath edge (foot end) to where grip/handle starts	q	484,5	534,5	584,5	634,5	634,5	584,5	634,5	634,5	684,5 mm
Distance bath edge (foot end) to where grip/handle ends	r	758,5	808,5	858,5	908,5	908,5	858,5	908,5	908,5	958,5 mm
Width of rim (foot end; lengthwise)	s <sub>1</sub> ; s <sub>2</sub>	70; 75	70; 75	70; 75	70; 75	85; 90	70; 75	70; 75	60; 55	70; 75 mm
Distance between centre holes	u	212	222	212	212	212	218	218	221	216 mm
Water volume** in litres		67	82	93	111	111	107	123	145	150
Weight of the enamelled bath in kg		40	40	47	48	49	47	50	55	55