

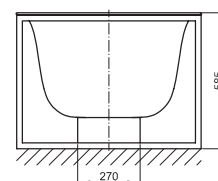
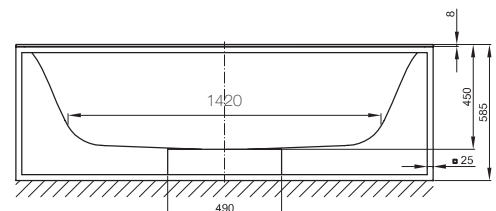
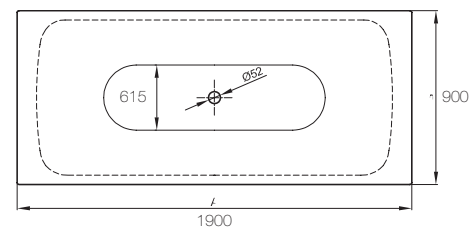
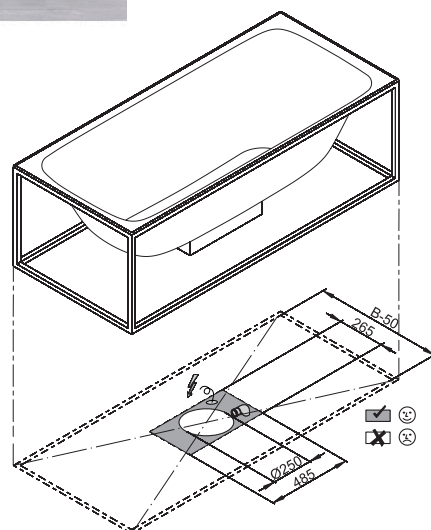
grid

1900mm x 900mm freestanding bath



This statement bath is characterised by the delicate slim bath and black powdered coated steel frame. The bath waste and overflow are combined hidden beneath the bathtub so as not to detract from the sleek design. The electronic controls with integrated pressure sensor will automatically drain the bath as soon as the water rises above a certain level.

Dimensions	900mm(w) x 1900mm(l) x 585mm(h)
Material	enamelled steel
Frame	steel, powder-coated fine structure matt
Finish	white
Tap holes	nth



VOLUME: 234 LITRE