



# excalibur

cast iron roll top bath

---

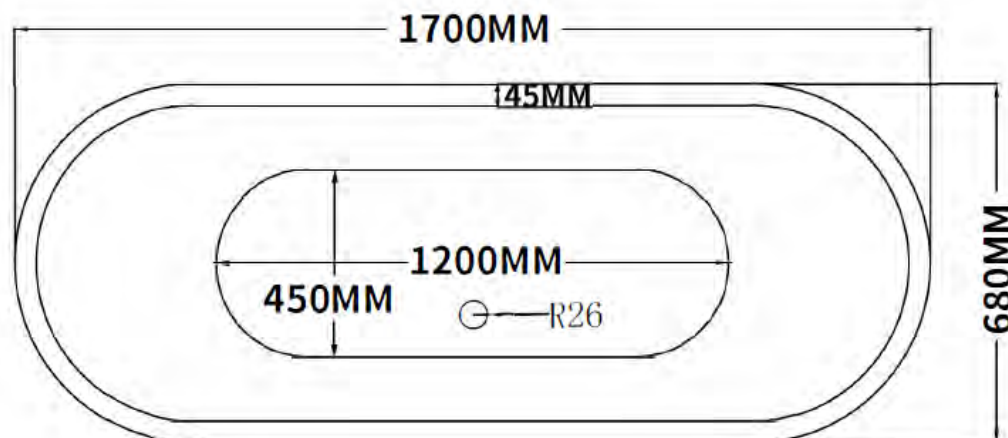
Aston Matthews cast iron roll top baths represent the perfect union of traditional craftsmanship and modern luxury, making them a timeless centrepiece in high-end bathroom design. Established in 1823, Aston Matthews has built a reputation as one of the UK's leading bathroom specialists, offering an extensive range of freestanding baths that combine heritage styling with exceptional quality.

These baths are manufactured using cast iron, a material renowned for its durability and longevity. Each tub is finished with a porcelain enamel coating that is fused onto the surface at high temperatures, resulting in a smooth, glossy finish that is resistant to scratching and staining. This robust construction ensures that the baths maintain their beauty and performance for decades, making them a worthwhile investment in any luxury home.





# excalibur cast iron roll top bath



Dimensions	1760mm x 680mm
Weight	146kg
Capacity	250 litres
Tapholes	no tapholes
Material	enamelled cast iron
Finish	riveted steel

