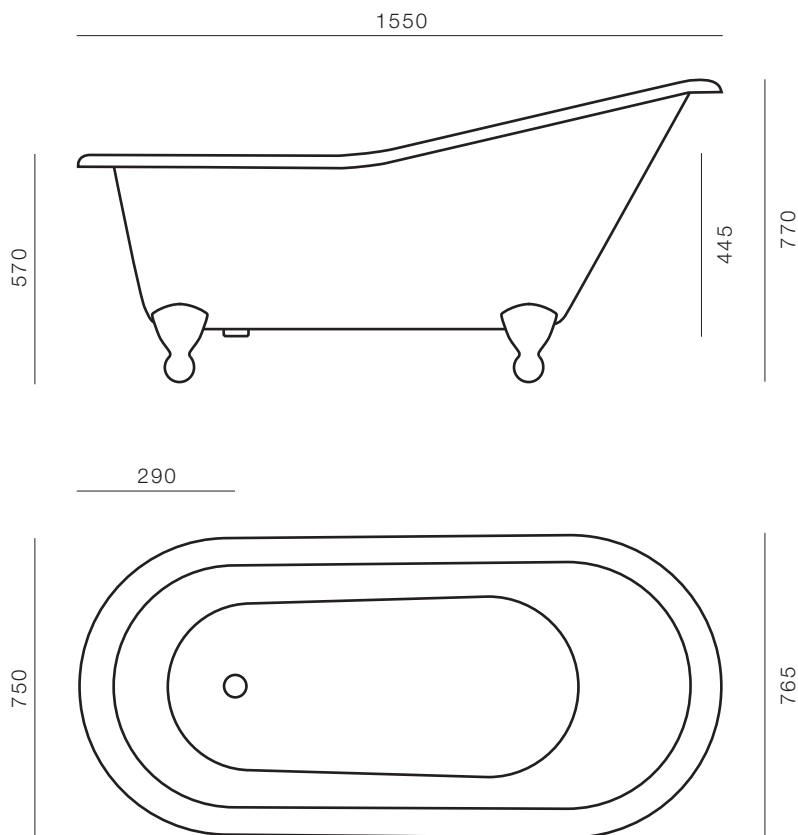




# astonian slipper

---

single ended cast iron bath no tapholes  
ball and claw feet



Weight 121 kg  
Capacity 180 L

its slipper 3/09 dimensions are measured to nearest 5mm and may vary due to manufacturing process