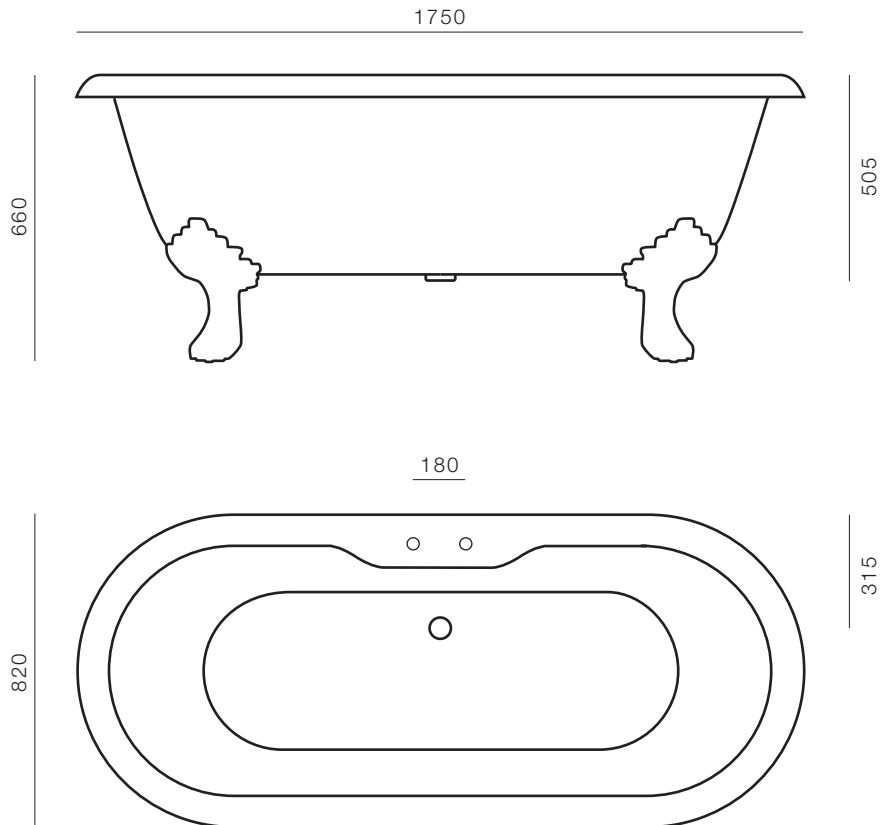




napoli

double ended cast iron bath 2 tapholes
ornate feet



Weight 130 kg
Capacity 264 L

tis napoli 3/09 dimensions are measured to nearest 5mm and may vary due to manufacturing process